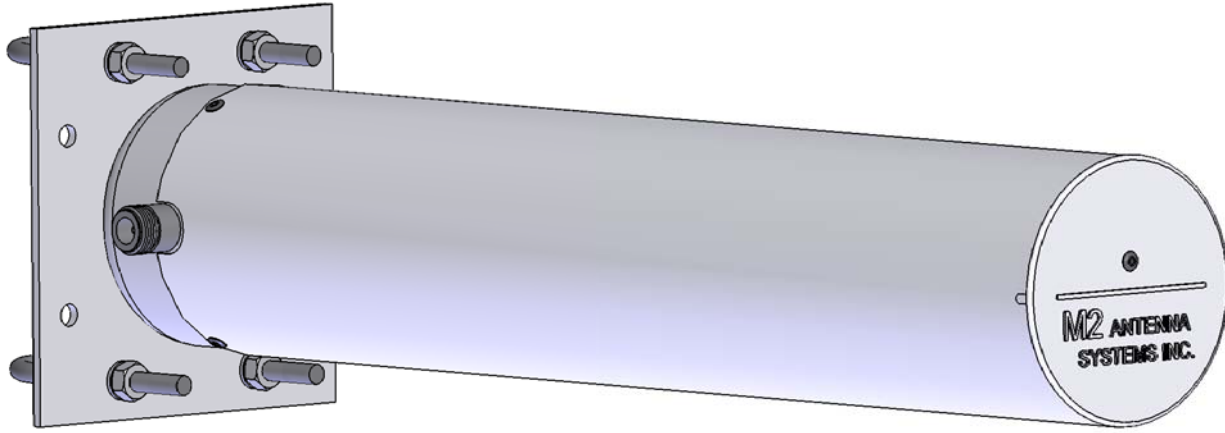




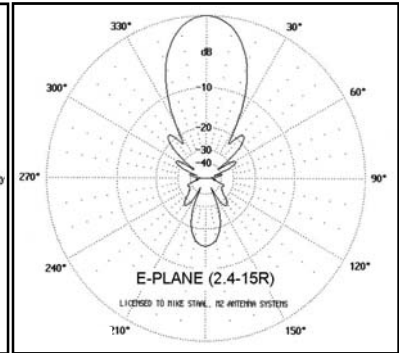
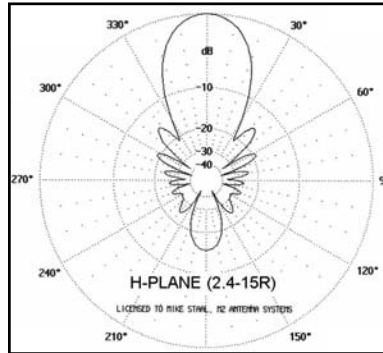
# 2.4-15R YAGI (2.4-2.5 GHz)

3-10-08



## SPECIFICATIONS

MODEL.....2.4-15R  
 FREQUENCY RANGE .....2.4-2.5 GHz  
 GAIN.....15dBi  
 FRONT TO BACK.....17 dB  
 VSWR.....1.5:1 MAX  
 POLARITY.....VERT / HORZ  
 FEED IMPEDANCE.....50 OHMS  
 FEED CONNECTOR .....N-FEMALE  
 POWER HANDLING.....500 WATTS  
 BOOM LENGTH.....25"  
 RADOME DIA.....3.3"  
 MAST SIZE.....1 1/4" TO 2"  
 WIND AREA .....(.1) SQ FT.  
 WIND RATING.....100 MPH  
 WEIGHT.....1 LB



## FEATURES

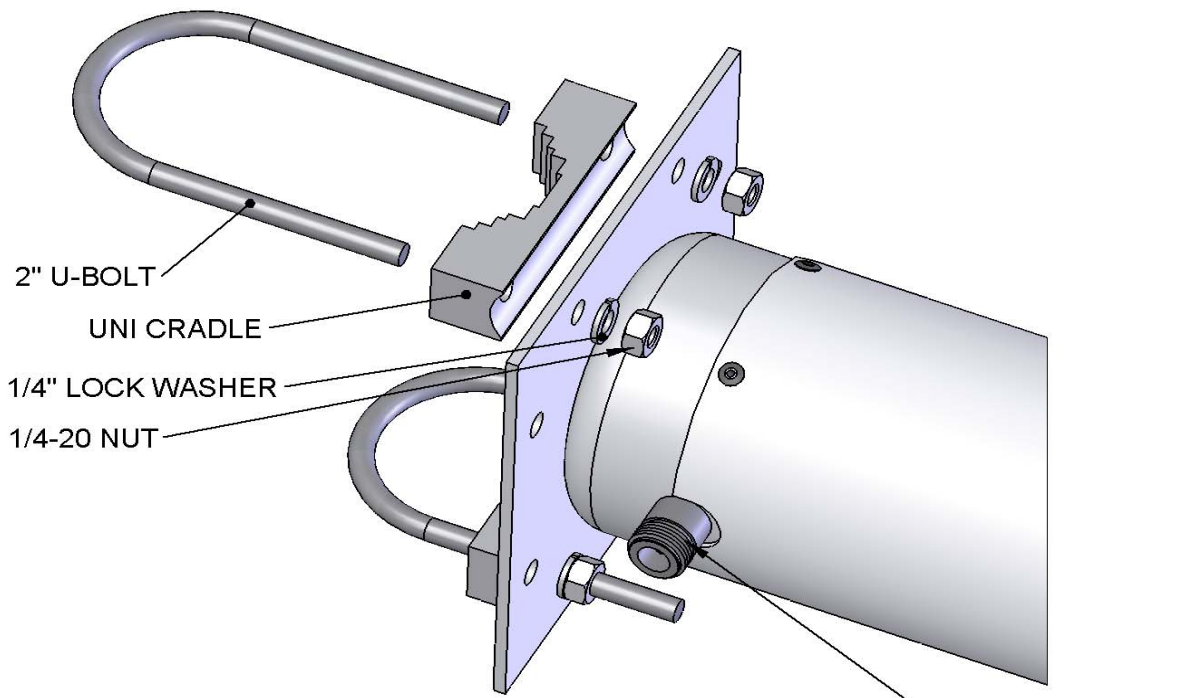
The **2.4-15R** is a medium gain, Wave Guide Fed Yagi. Computer optimized for use in the 2350-2500 MHz band. Mechanically optimum computer calculations are held by CNC stamping out the director element structure. The low-loss Polyethylene Radome covers and adds to the strength of the antenna. Vertical or Horizontal polarization is achieved simply by rotating the antenna 90 degrees.

The **2.4-15R** is one of the best performers for it's size in the market. If more gain is required, stacking two at 8" apart nets another 3.0 dB gain or simply step up to the it's big brother, the **2.4-18R** for a jump of 2.7 dB more of gain. All antenna hardware is stainless steel for long life.



# 2.4-15R MOUNTING DETAIL

3-10-08



2" U-BOLT

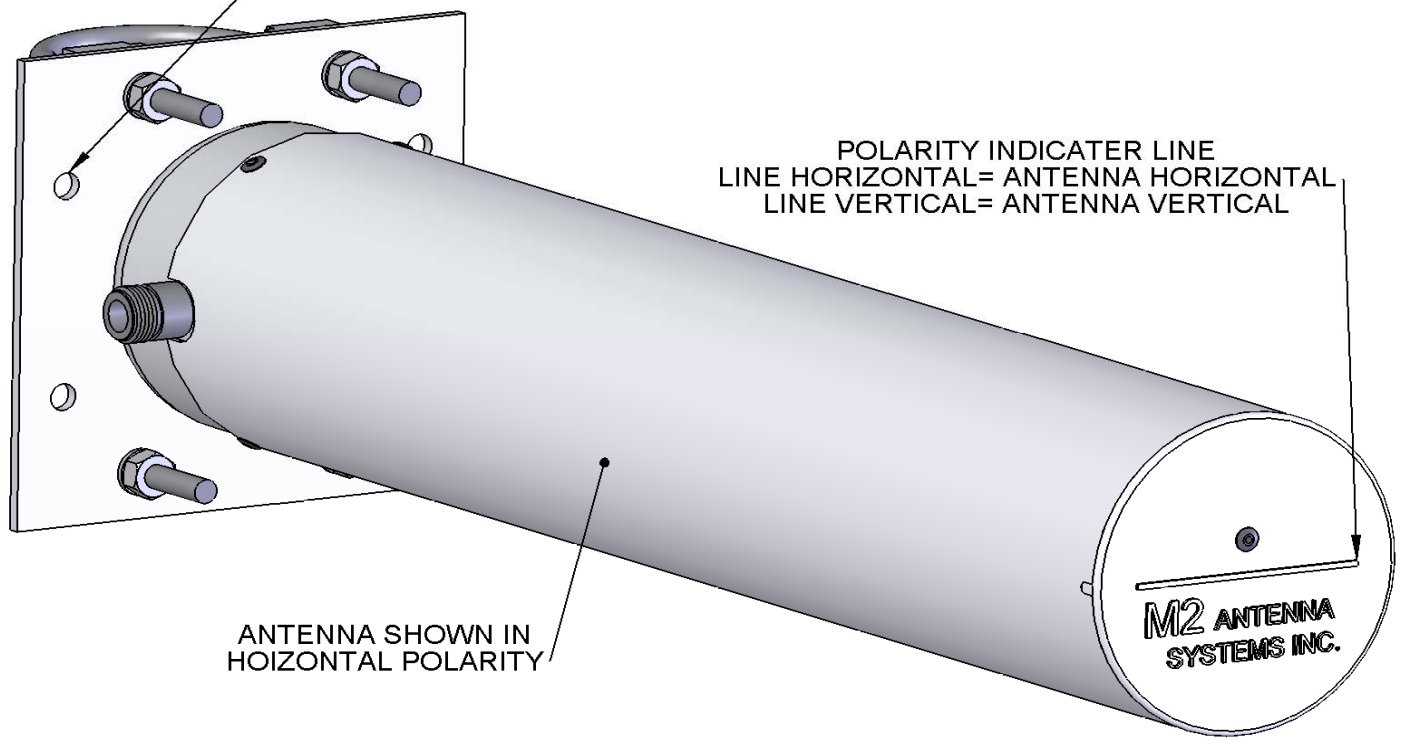
UNI CRADLE

1/4" LOCK WASHER

1/4-20 NUT

DO NOT OVER TIGHTEN "N" CONNECTOR

UNUSED HOLES FOR MOUNTING IN OPPOSITE POLARITY



POLARITY INDICATOR LINE  
LINE HORIZONTAL= ANTENNA HORIZONTAL  
LINE VERTICAL= ANTENNA VERTICAL

ANTENNA SHOWN IN HOIZONTAL POLARITY

M2 ANTENNA SYSTEMS INC.

## 2.4-15R PARTS LIST

3-10-08

DESCRIPTION .....	QTY
-------------------	-----

2.4-15R ANTENNA.....	1
----------------------	---

ASSEMBLY MANUAL .....	1
-----------------------	---

### HARDWARE BAG # 1:

NUT, 1/4-20, SS .....	4
-----------------------	---

LOCKWASHER, 1/4" SPLIT RING SS .....	4
--------------------------------------	---

U-BOLT, 2" SS .....	2
---------------------	---

UNICRADLE.....	2
----------------	---

### M<sup>2</sup> ANTENNA SYSTEMS, INC.

4402 N. SELLAND AVE.

FRESNO, CA 93722

(559) 432-8873 FAX: 432-3059

www.m2inc.com Email: sales@m2inc.com